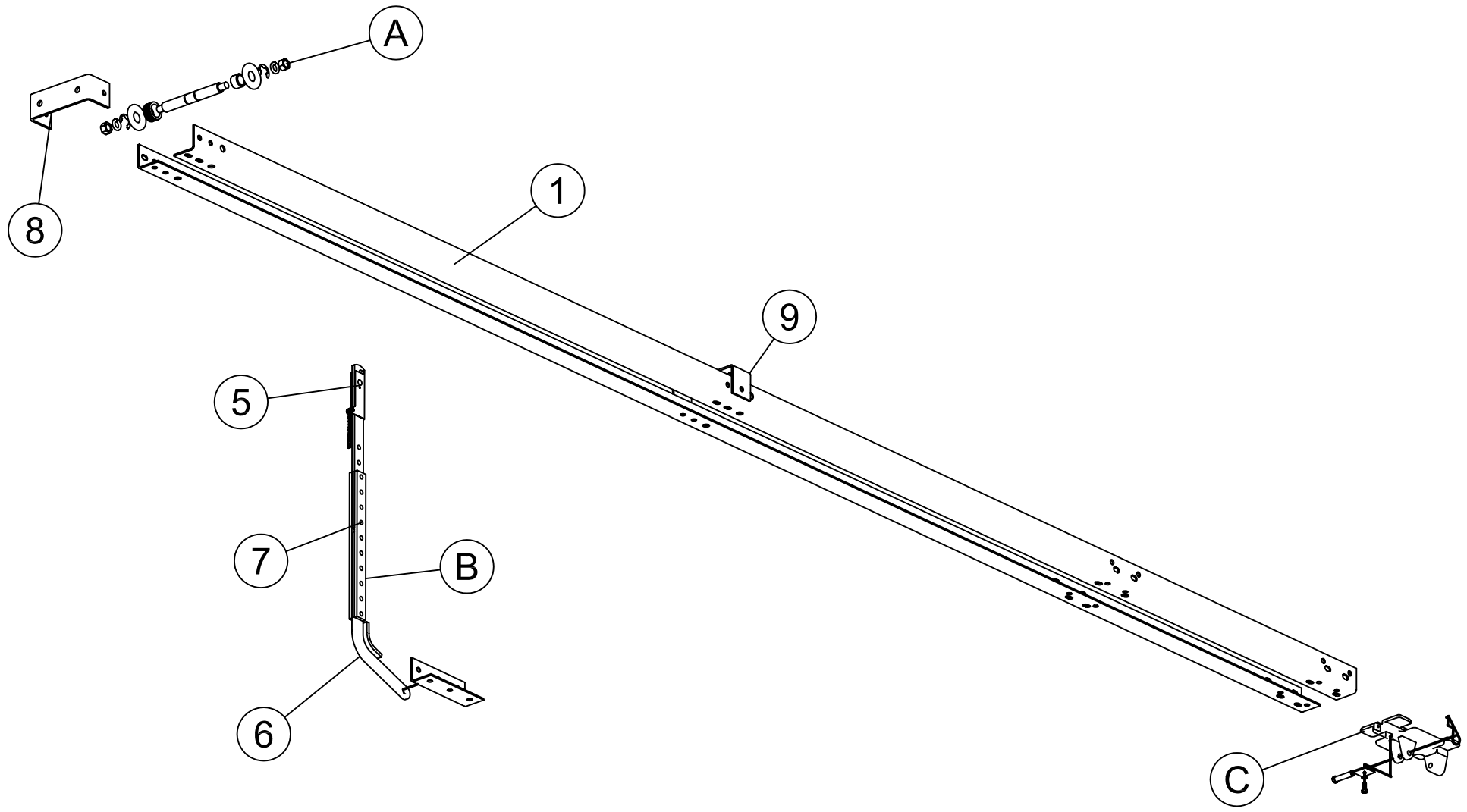



APPROVED VENDOR	VENDOR PART NO.

DATE	REV	REVISION NOTES	ECO	BY
06/17/04	A	DOC. CONTROL		MDG



TOLERANCE <small>(UNLESS OTHERWISE SPECIFIED)</small> DECIMAL X.X ±0.030 X.XX ±0.020 X.XXX ±0.010		 c.p. ALLSTAR CORPORATION PO Box 240 Downingtown, PA 19335	
FRACTIONAL ±1/32	APPROVED BY	SCALE 0.8 : 1	DRAWN BY MDG DATE 07/17/04
ANGULAR ±1°	MATERIAL	SHT 1 OF 1 © 2004	
TITLE PARTS ID, COMM TRACK ASSEMBLY	DWG NO. 112176	REV	