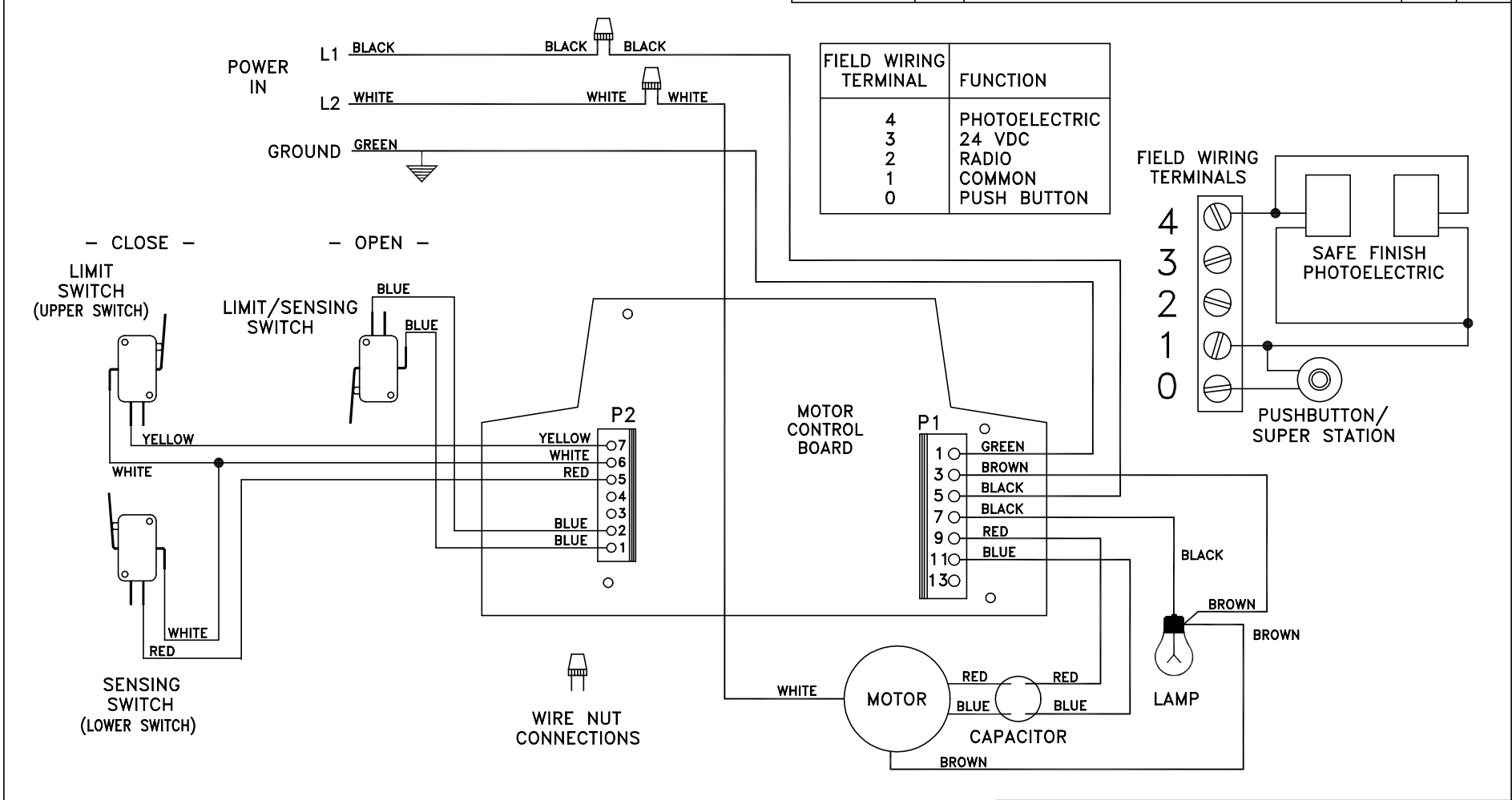



APPROVED VENDOR	VENDOR PART NO.	DATE	REV	REVISION NOTES	ECO	BY
		10/25/01	A	RELEASED TO DOCUMENT CONTROL		CPC
		12/28/01	B	GENERAL - PREPRODUCTION		CPC



TOLERANCE (EXCEPT AS NOTED) DECIMAL X.X ± N/A X.XX ± N/A X.XXX ± N/A	 c.p. ALLSTAR CORPORATION PO Box 240 Downingtown, PA 19335		
	FRACTIONAL ±1/32	APPROVED BY	SCALE N/A
ANGULAR ±1°	MATERIAL	DRAWN BY CPC	DATE 10/25/01
TITLE WRG DIAG,MVP RDO,UNIV MCB		SHT 1 OF 1 © 2001	
		DWG NO. 110796	REV —