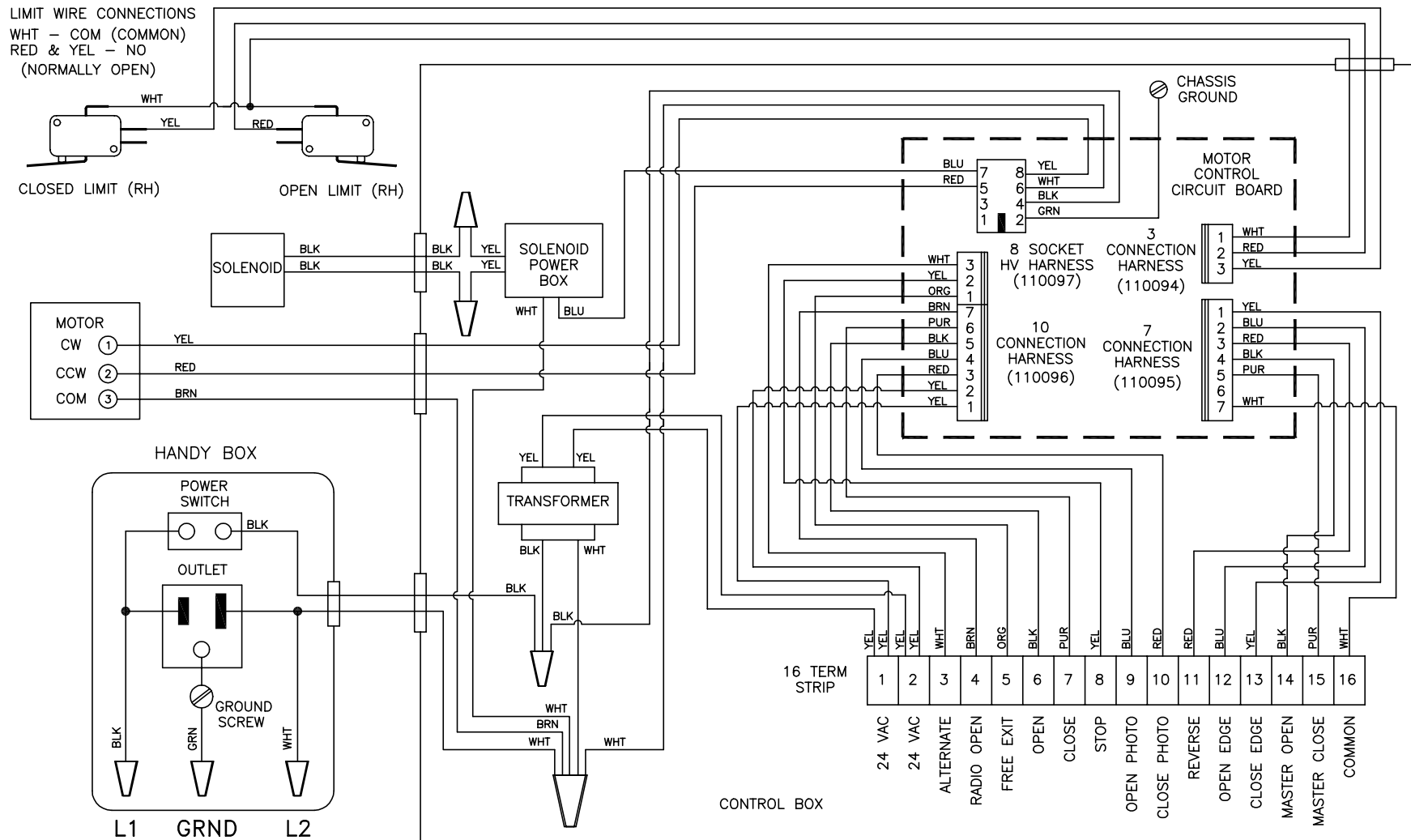



DATE	REV	REVISION NOTES	ECO	BY
5-12-00	A	RELEASED TO DOCUMENT CONTROL		CPC
6-10-03	B	GREEN LIMIT WIRES CHANGED TO WHITE	2259	CPC



TOLERANCE <small>(EXCEPT AS NOTED)</small> DECIMAL X.X ±0.030 X.XX ±0.020 X.XXX ±0.010		 c.p. ALLSTAR CORPORATION PO Box 240 Downingtown, PA 19335	
FRACTIONAL ±1/32	APPROVED BY	SCALE N/A	DRAWN BY CPC
ANGULAR ±1°	MATERIAL N/A	DATE 5/12/00	
TITLE WIRE DIAG,GS1000/HDSL,CGA2K		DWG NO. 110098	SHT 1 OF 1 © 2000
		REV —	