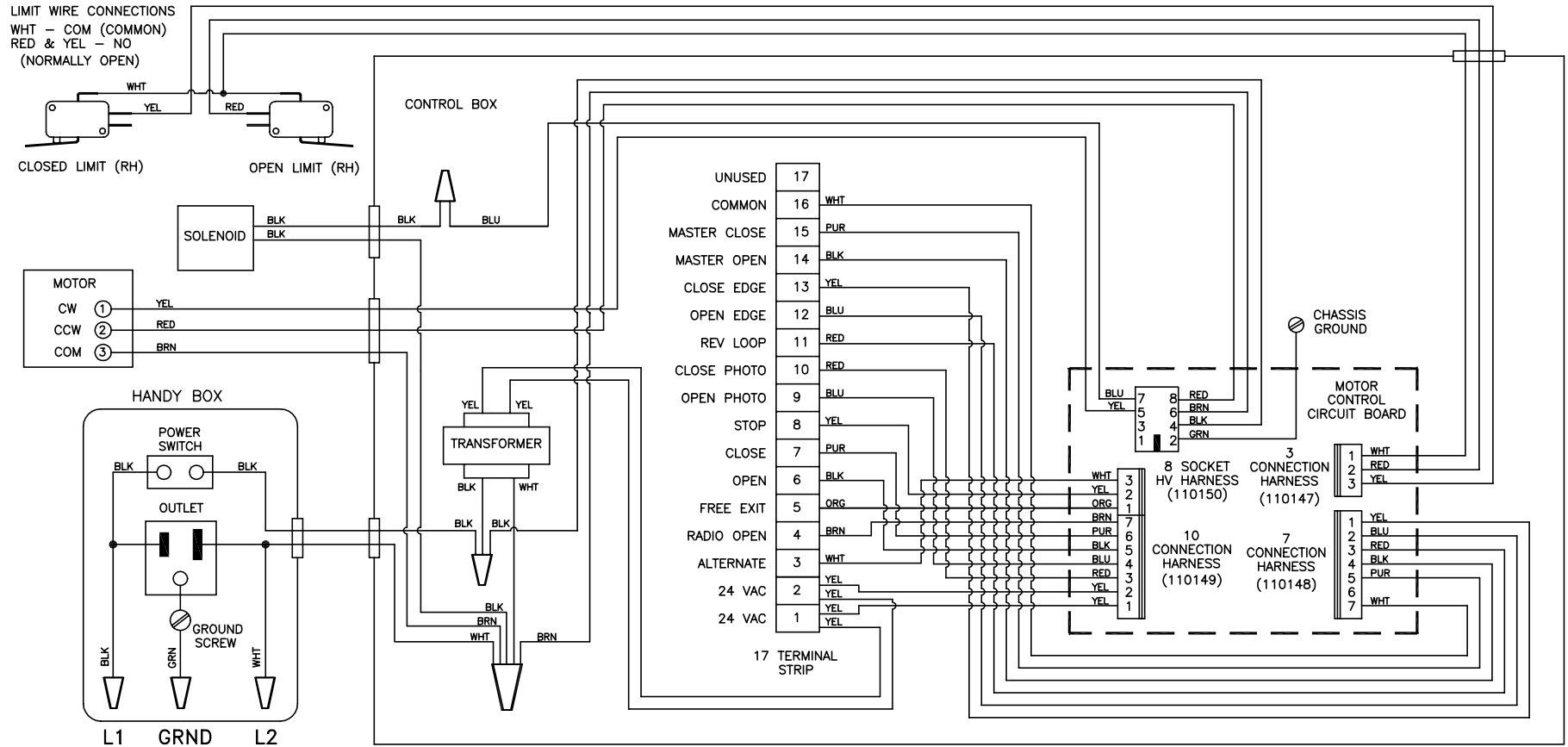



DATE	REV	REVISION NOTES	ECO	BY
6-23-00	A			CPC
7-12-00	B	PREPRODUCTION-REVISED WIRE COLORS		CPC
6-10-03	C	GREEN LIMIT WIRES CHANGED TO WHITE	2259	CPC



TOLERANCE (EXCEPT AS NOTED) DECIMAL X.X ±0.030 X.XX ±0.020 X.XXX ±0.010		 c.p. ALLSTAR CORPORATION PO Box 240 Downingtown, PA 19335	
FRACTIONAL ±1/32	APPROVED BY	SCALE N/A	DRAWN BY CPC
ANGULAR ±1°	MATERIAL N/A	DATE 6/23/00	
TITLE WIRE DIAG, LEADER, CGA2K		SHT 1 OF 1 © 2000	
		DWG NO. 110146	REV —