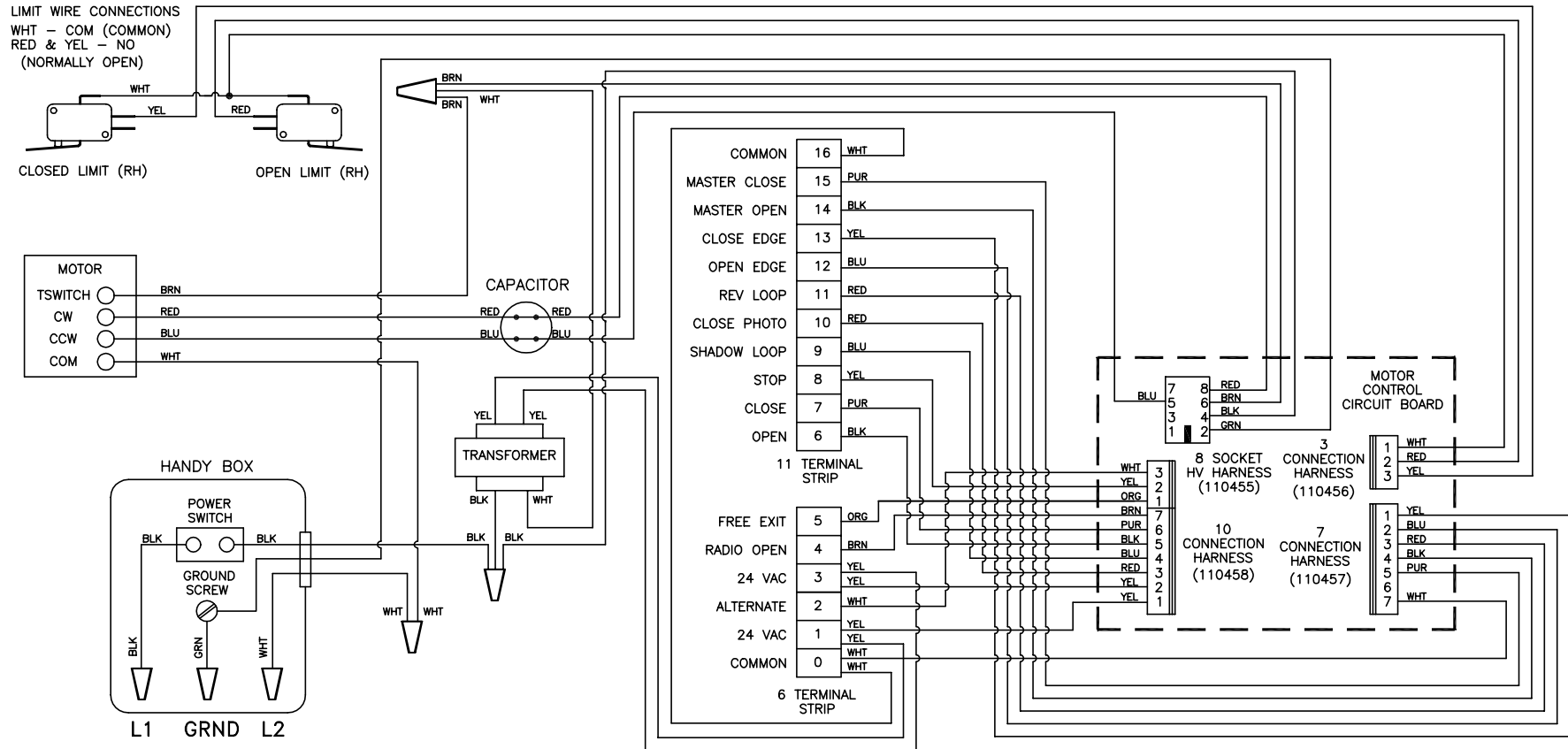



DATE	REV	REVISION NOTES	ECO	BY
12-15-00	A	RELEASED TO DOCUMENT CONTROL		CPC
6-10-03	B	GREEN LIMIT WIRE CHANGED TO WHITE	2259	CPC

LIMIT WIRE CONNECTIONS
WHT - COM (COMMON)
RED & YEL - NO
(NORMALLY OPEN)



TOLERANCE (EXCEPT AS NOTED) DECIMAL X.X ±0.030 X.XX ±0.020 X.XXX ±0.010	 c.p. ALLSTAR CORPORATION PO Box 240 Downingtown, PA 19335		APPROVED BY	SCALE	DRAWN BY
				N/A	CPC
FRACTIONAL			DATE	12/15/00	
±1/32			SHT	1 OF 1	
ANGULAR	MATERIAL		© 2000		
±1°	N/A		DWG NO.	110454	
TITLE			REV		
WIRE DIAG, Twist'R, CGA2K					