

Network Public View Display (NPVD)

Conventional Public View Displays (PVDs) combine surveillance and security with advertising and marketing by housing a camera in a monitor displaying marketing content. Aigis' NPVDs add to this framework by enabling web-based content management via Aigis' Digital Signage (ADS) Software. This layer of manageability adds a variety of functionality with no additional equipment requirements. ADS Software eases the process of rolling out a NPVD-based marketing campaign by enabling a user to remotely alter the on-screen content of every display on the network with the click of a button. Whether a campaign is assigned to every display, a specific group of displays, or a single display, ADS Software ensures a cohesive rollout each and every time. Aigis' NPVDs with ADS Software truly do provide the freedom to manage from anywhere.

Aigis Digital Signage (ADS) Software

Manage screen layouts, load images into a play list, and assign start and end times using the scheduling feature of ADS Software. Screen layout options include custom sizing up to three simultaneous frames of formatted scrolling text, static images, or play lists of images. The Emergency Message feature allows a user to override any content currently being displayed and replaces it with text instructions, an image such as an evacuation route, or any combination of the two. The ADS Software can schedule and send RS232 commands to the display to adjust the source of the image on the main display between the on-board camera, the output from the ADS software, or an external video input.



Secure Content Management

Each display is pre-programmed to periodically poll out to a single preset website to check for updates and download new content or play lists. The preset website cannot be changed without local insertion of a USB key that contains special software. This feature allows the displays to operate via a dedicated internet connection, or in an intranet environment, and also prevents outsiders from pushing malicious content to the displays. Initialization via USB key makes setting up new units quick and easy.

Remote Access

Accessing remote displays merely requires logging into a password-secured website from a standard web browser. The ADS Software alerts the user to any displays that have lost connectivity and require attention. The Software as a Service (SaaS) architecture eliminates the need for multiple licenses and simplifies the software update process. The Administrator can create new user accounts and assign control permissions.

SPECIFICATIONS

| <i>LCD Display</i> | 26" | 32" | 37" |
|-----------------------|--------------------------|-------------------|-------------------|
| Resolution | 1366H x 768V Pixels WXGA | | |
| Pixel Pitch | 0.1405mm x 0.4215mm | 0.170mm x 0.510mm | 0.200mm x 0.600mm |
| Brightness | 600 cd/m ² | | |
| Contrast Ratio | 1400 : 1 | 1600 : 1 | |
| Viewing Angle | 178 / 178 U/D/L/R | | |
| Color Depth | 8bit / 16.7M Colors | | |
| Response Time | 8ms | | |
| Lamp Life | 50,000+ Hours | | |

Network Features

| | |
|----------------------------|--|
| Network Connector | 1 x RJ45 Ethernet Port |
| Network Type | Intranet or Internet |
| Supported Formats | Text: .TXT Files |
| | Images & Slide Shows: .JPG, .GIF, .PNG |
| User Interface | Standard web browser. |
| Security Features | Password-protected website login, user permission levels, secure content retrieval. |
| Content Retrieval | Display is hard-coded to view only one website for content retrieval. |
| Content Management | Internet based playlist scheduling. |
| Scope of Control | Remotely control screen content of multiple displays in any location. |
| Emergency Messaging | Allows images and/or text to be displayed on a display or group of display within one minute of execution. |
| Event Logging | Playlist on-screen duration, loss of signage connectivity, and RS232 commands are all recorded as events. |

Display Features

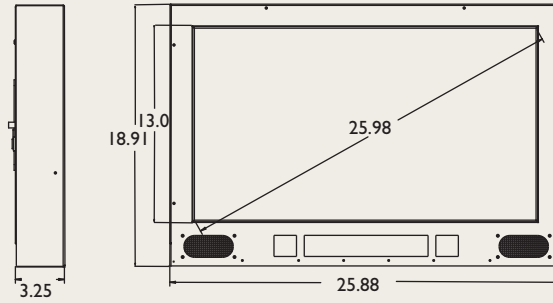
| | 26" | 32" | 37" |
|---------------------------------|---|------|------|
| Video Feeds | Internal Camera Out, External Video In, External Video Loop Out | | |
| Video Connectors | 3 x BNC Connectors | | |
| Picture-In-Picture | OSD Controls Size (Sm, Lg, Split) and Location of PIP Window | | |
| VESA Standard Compatible | 75mm and 100mm Hole Patterns | | |
| Construction | Aluminum Casing with Acrylic Accessory Window, Powder Coated White or Black | | |
| Motion Sensor | OSD Controls Sensitivity, Action Upon Motion and Dwell Time | | |
| Light Sensor | OSD Controls Sensitivity | | |
| Remote Controller | 14 Button Remote, Batteries Included | | |
| Video System | NTSC | | |
| Input Power | 115VAC, +/- 10% | | |
| Power Requirement | 125W | 150W | 175W |

Camera and Lens

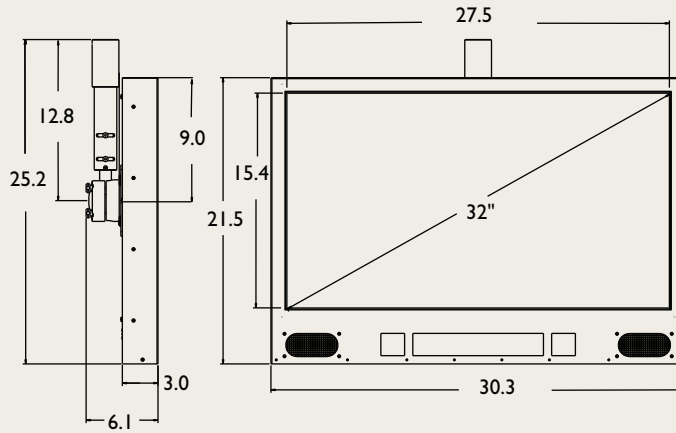
| | Color Hi-Res | Wide Dynamic |
|------------------------------|--|---------------------------|
| Image Sensor | 1/3" Sony Super HAD CCD | 1/3" Pixim DPS Sensor |
| Signal System | NTSC | NTSC |
| Effective Pixels | 768 (H) x 494 (V) | 720 (H) x 480 (V) |
| Resolution | 540TVL | |
| Minimum Illumin | 0.1Lux/F1.2 | 0.5Lux/F1.2;0.08 |
| Dynamic Range | n/a | 101dB Typ., 120dB Max |
| S/N Ratio | >48dB | >50dB |
| Control Method | n/a | OSD |
| Electronic Shutter | 1/60 - 1/100,000 sec | Auto |
| White Balance | Auto | ATW/AWB/Manual/ATW Extend |
| AGC | Auto | |
| BLC | Auto | |
| Gamma Correction | 0.45 | |
| Lens | 2.8-11mm Auto-Iris | |
| Power Supply | 12VDC | 12VDC / 24VAC |
| Operating Temperature | -10°C ~ +50°C (+14°F ~ +122°F), 90% RH Max | |

Dimensional Outlines

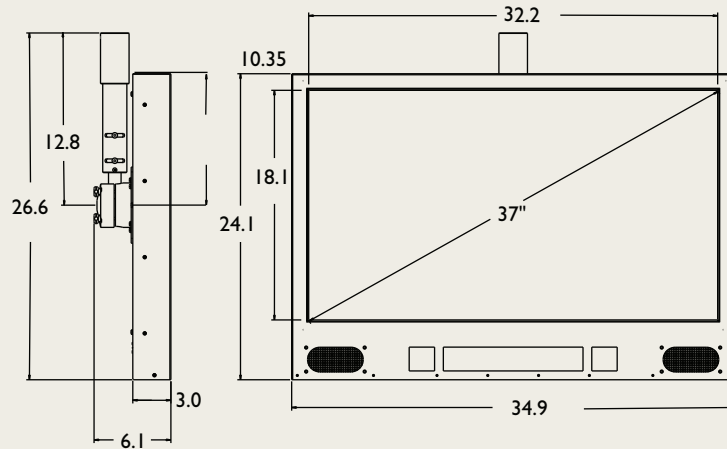
NPVD 26"



NPVD 32"



NPVD 37"



©2010 Aigis Mechtronics
www.aigismech.com

1124 Louise Road, Winston-Salem, NC 27107-5450
Tel: 877.523.6500 Fax: 336.785.7744

Preliminary 01_10 v002
Printed in U.S.A.